

Installation (ship): Recon Engine type: Stork Engine No:
 Fuel viscosity (cSt): Temperature (°C): Engine running hours:

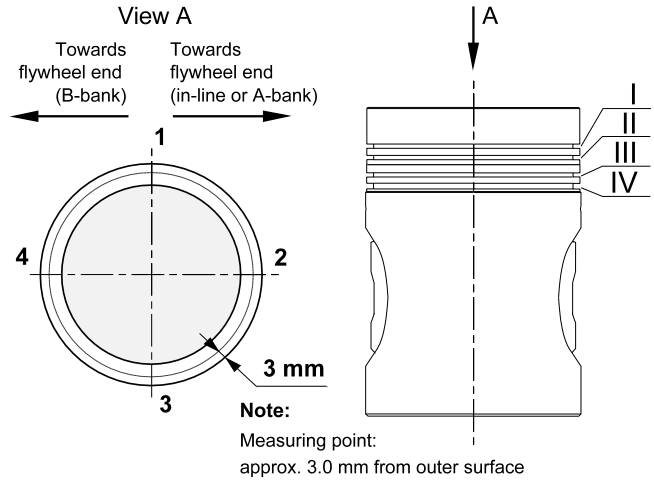
Piston ring groove height

Measuring positions

Component running hours before measurement:

Engine equipped with antipolishing ring (APR): Yes No

| | |
|------------|-------|
| | |
| | |
| Groove I | 8,00 |
| Groove II | 8,00 |
| Groove III | 8,00 |
| Groove IV | 12,00 |



| Bank | Cylinder number | | | | | | | | | |
|---------------------------------------|-----------------|-------|---|---|---|---|---|---|---|--|
| | 1 | 2 | 3 | 4 | 5 | 6 | 7 | 8 | 9 | |
| Piston ring groove height (mm) | | | | | | | | | | |
| I | 1 | 8,25 | | | | | | | | |
| | 2 | 8,25 | | | | | | | | |
| | 3 | 8,24 | | | | | | | | |
| | 4 | 8,28 | | | | | | | | |
| II | 1 | 8,27 | | | | | | | | |
| | 2 | 8,28 | | | | | | | | |
| | 3 | 8,26 | | | | | | | | |
| | 4 | 8,25 | | | | | | | | |
| III | 1 | 8,18 | | | | | | | | |
| | 2 | 8,17 | | | | | | | | |
| | 3 | 8,18 | | | | | | | | |
| | 4 | 8,17 | | | | | | | | |
| IV | 1 | 12,32 | | | | | | | | |
| | 2 | 12,35 | | | | | | | | |
| | 3 | 12,35 | | | | | | | | |
| | 4 | 12,33 | | | | | | | | |
| Remarks/ Manufact No. | 9545734 | | | | | | | | | |