

Installation (ship): Recon Engine type: Stork Engine No:
 Fuel viscosity (cSt): Temperature (°C): Engine running hours:

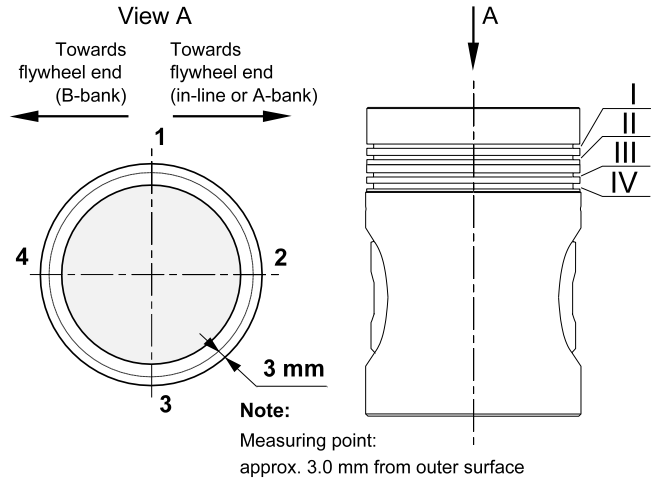
Piston ring groove height

Measuring positions

Component running hours before measurement:

Engine equipped with antipolishing ring (APR): Yes No

Groove I	8,00
Groove II	8,00
Groove III	8,00
Groove IV	12,00



Bank	Cylinder number									
		1	2	3	4	5	6	7	8	9
Piston ring groove height (mm)										
I	1	8,28								
	2	8,32								
	3	8,27								
	4	8,27								
II	1	8,18								
	2	8,20								
	3	8,20								
	4	8,18								
III	1	8,15								
	2	8,16								
	3	8,15								
	4	8,15								
IV	1	12,18								
	2	12,22								
	3	12,25								
	4	12,24								
Remarks/ Manufact No.	2185226									