

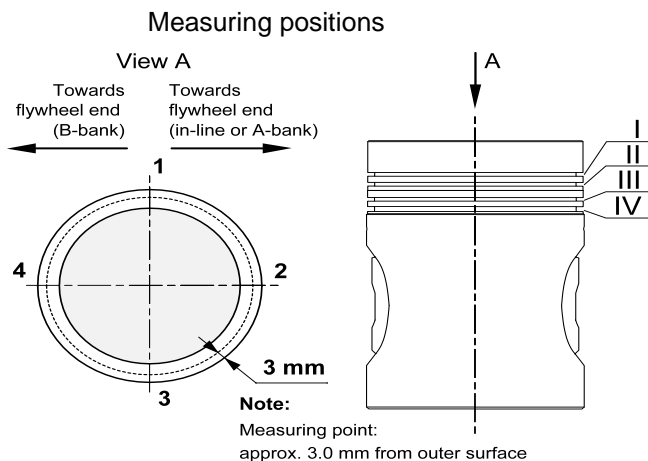
Installation (ship): Recon Piston Crown MAHLE Use: \_\_\_\_\_ Project no.: 25016  
 Engine type: Wärtsilä Vasa 32 Engine no.: \_\_\_\_\_ Engine running hours: \_\_\_\_\_

## Piston ring groove (4 rings) – Vasa 32

Component running hours before measurement:

Engine equipped with anti-polish ring:  Yes  No

	Nominal height (mm)	Wear limit (mm)
Groove I	6.09 – 6.11	6.45
Groove II	6.09 – 6.11	6.45
Groove III	8.05 – 8.07 / 6.09 – 6.11	8.30 / 6.45
Groove IV	8.05 – 8.07	8.30



Bank	Cylinder number									
		1	2	3	4	5	B6	7	8	9
<b>Piston ring groove height (mm)</b>										
I	1						6,17			
	2						6,18			
	3						6,18			
	4						6,17			
II	1						6,15			
	2						6,15			
	3						6,13			
	4						6,14			
III	1						6,13			
	2						6,13			
	3						6,13			
	4						6,13			
IV	1						8,08			
	2						8,07			
	3						8,06			
	4						8,07			
Remarks / Manufactor no.							498826-5129-7			

Measuring tool number: M271

Date of measurement: 7/2-14

Place: Frederikshavn

Name: Stefan Munch