

Engine section Engine type Bergen B Ref. Date Issue Document No. Page

Installation (ship): Bergen BRM-8 Engine type: Bergen B Engine No: _____
 Fuel viscosity (cSt): _____ Temperature (°C): _____ Engine running hours: _____

Cylinder liner, diameter d

Drawing number: _____

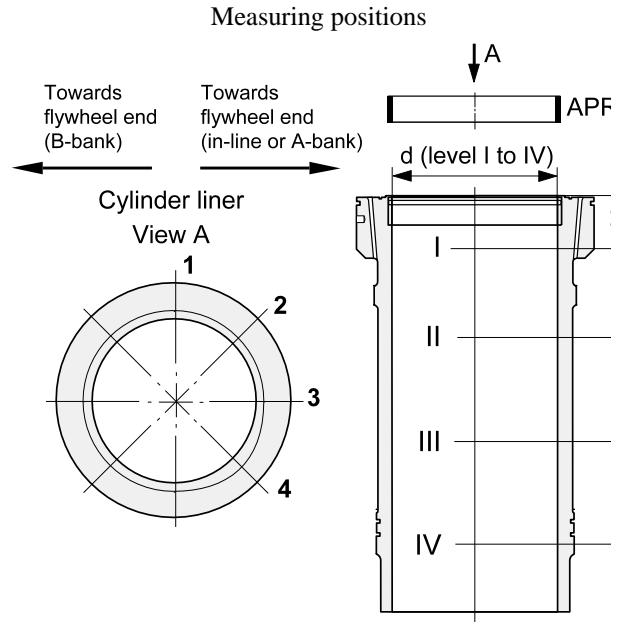
Component running hours before measurement: _____

Measured: Mounted Before honing
 Free After Honing

Engine equipped with antipolishing ring (APR): Yes
 No

Maximum bore: 320.60mm

Reference diameter (or level IV / position 3): Level IV



Antipolishing ring instructions

1. Inspect the antipolishing ring at every piston overhaul.
2. Turn the antipolishing ring upside down at the first piston overhaul.
3. Change the antipolishing at every second piston overhaul.

Measurements I to be made 95mm from the top of the liner.
 Measurements II to be made 240mm from the top of the liner.
 Measurements III to be made 400mm from the top of the liner.
 Measurements IV to be made 700mm from the top of the liner.

Bank	Cylinder number									
		1	2	3	4	5	6	7	8	9
Cylinder liner diameter d (deviation in 1/100 mm)										
I	1	10								
	2	08								
	3	08								
	4	10								
II	1	09								
	2	08								
	3	08								
	4	09								
III	1	09								
	2	08								
	3	07								
	4	08								
IV	1	09								
	2	10								
	3	10								
	4	10								
Remarks/Manufact. No.	701594H									
Roughness Ra:	1.27									